



GOBLIN

INSTRUCTIONS FOR USE

854 TEASMADE

PREPARATION FOR USE

Examine the rating plate on the back of the clock case and see that the voltage and frequency stated is suitable for the voltage and frequency of your supply.

NOTE: This TEASMADE is designed for use on alternating current only. It should be connected to a supply point which is not subject to interruption.

The TEASMADE is supplied with a length of 3-core flexible cable and should only be used with a suitable 3-pin plug. A lamp adaptor connection or any 2-pin plug must **not** be used. If a 13 amp flat pin plug is used, a 5 amp fuse, normally obtainable from your electrical dealer, should be fitted. If this is not obtainable then the standard 13 amp fuse can be used.

“WARNING – THIS APPLIANCE MUST BE EARTHED”

IMPORTANT

The wires in the mains lead are coloured in accordance with the following code:

Green and Yellow	– Earth
Blue	– Neutral
Brown	– Live

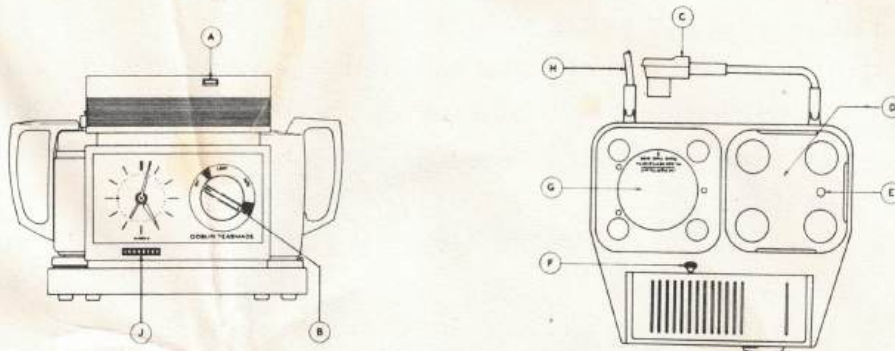
As the colours of the wires in the mains lead may not correspond with the coloured markings identifying the terminals in your plug, proceed as follows:

The wire which is coloured green and yellow must be connected to the terminal which is marked with the letter E or by the earth symbol \perp or coloured green or green and yellow.

The wire which is coloured blue must be connected to the terminal which is marked with the letter N or coloured black. The wire which is coloured brown must be connected to the terminal which is marked with the letter L or coloured red.

The clock will start automatically when connected to the supply. It is essential that the TEASMADE is operated on a firm **level** surface. If the surface is not level, malfunctioning and consequent damage could result.

FIG. 1



- | | | |
|---------------------|--------------------------|----------------------------|
| (A) Lampshade hook | (B) Rotary Switch | (C) Kettle connector |
| (D) Teapot stand | (E) Teapot Safety Device | (F) Hand set knob |
| (G) Kettle platform | (H) Mains cable | (J) Alarm set thumb wheel. |

HAND SETTING

Adjust the clock to the correct time by turning the hand set knob (See Fig.1F) in an anti-clockwise direction when viewed from the rear.

ALARM SETTING

Set the position of the alarm hand to the time at which tea is required by turning the alarm set thumb wheel 'J', which can be found beneath the clock dial, from left to right (See Fig.1J).

TO SET FOR MAKING TEA

Having set the hands and set the alarm, fill the kettle with water until it touches the pointer inside the kettle rim when the kettle is level.

WARNING if the kettle is overfilled there is a risk that boiling water may be ejected through the vent hole in the lid.

Fit the lid in position and secure by pressing downwards and turning clockwise until tight.

The kettle must under no circumstances whatsoever be connected to the electricity supply direct but must only be used with the TEASMADE.

Place the kettle on the platform with the kettle socket to the rear, then insert kettle connector. Avoid twisting or restricting the **free movement** of the cable.

Put the required amount of tea in the teapot and place the spout under the tube of the kettle (See Fig.3). When positioning the teapot make sure the movement of the tube is not restricted and that the kettle platform also has freedom of movement. Finally turn the knob of the Rotary Switch to the 'AUTO' position (See Fig.2). When the tea is made and the alarm sounds the knob of the Rotary Switch may be returned to the 'LIGHT' or 'OFF' position. Either will silence the buzzer.

NOTE: A safety device is fitted to the teapot stand (see Fig.1E). If the teapot is not placed in position, it causes the buzzer to sound immediately the knob of the Rotary switch 'B' is turned to the 'AUTO' position.

If processed **instant** coffee is preferred, it can be made in exactly the same way.

FIG. 2

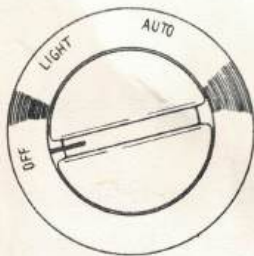
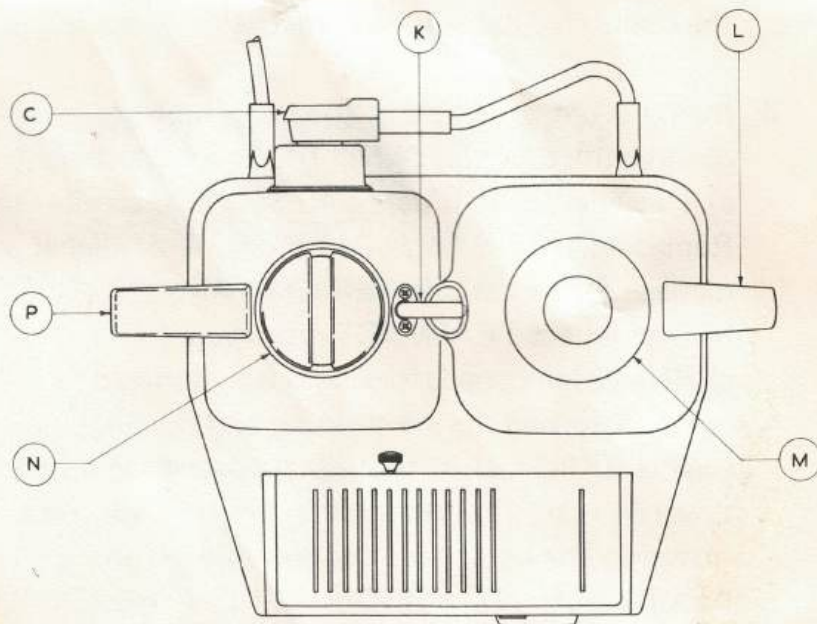


FIG. 3



- | | | | |
|----|------------------|----|---------------|
| C) | Kettle connector | M) | Teapot lid |
| K) | Kettle spout | N) | Kettle lid |
| L) | Teapot handle | P) | Kettle handle |

USE OF ALARM ONLY

The kettle can be disconnected or removed from the TEASMADE. If it is found convenient to leave the kettle connected, ensure it is empty. Place the teapot in position and turn the knob of the Rotary Switch to the 'AUTO' position. The buzzer will sound approximately fifteen minutes in advance of the time set and adjustment should be made for this if required.

USE OF LIGHTS ONLY

Whether the teasmade has been set for automatic tea making or not the lights may be used if required by turning the knob of the Rotary Switch to the 'LIGHT' position (See Fig.2).

IMPORTANT

1. Do not forget to place the teapot in position when setting the TEASMADE for operation.
2. Do not set the alarm to operate more than eleven hours ahead of the time required as the movement is of the 12 hour alarm type.
3. Always ensure that the movement of the kettle and platform is not restricted. Check that the kettle is in the correct position and that the connector cable is not twisted.
4. In the event of failure of the lamp fitted to your TEASMADE please observe the following when fitting a replacement:—
 - a) The TEASMADE uses a 40 watt SBC candle lamp for illumination. Replacing with a larger lamp or one of higher wattage could cause damage to the lampshade.
 - b) Disconnect TEASMADE from supply.
 - c) Release lampshade lock which is designed to prevent the lampshade being disturbed during cleaning and dusting, by loosening screw (one turn is sufficient) in top metal cover of lampshade. Slide screw head towards rear, lift lampshade up to clear retaining hook and pull forward. The lamp can now be replaced and the lampshade refitted. REMEMBER TO SLIDE SCREW HEAD BACK TO FULLY FORWARD POSITION AND TIGHTEN TO LOCK LAMP SHADE.
5. This TEASMADE must not be stood in a tray when in use.

CARE AND MAINTENANCE

To maintain the polished appearance of the kettle use a damp cloth followed by polishing with a dry cloth.

To maintain your kettle in efficient working order occasional de-furring may be required particularly if you live in a hard water area. De-furring agents can be obtained from hardware stores and chemists and should be applied to the spout tube as well as to the kettle.

"Should your Teasmade require servicing, contact should be made initially with our Service Department at Leatherhead or one of our Branches. Advice will then be given on what action can be taken."

In all communications please quote MODEL and SERIAL NUMBER ON THE RATING PLATE.

It is suggested that the polystyrene pack included with this appliance be retained for future use whether it be for moving or returning the TEASMADE for service.

In accordance with the company's policy of continued development and improvement, we reserve the right to modify the design without prior notice.

"TEASMADE" is a registered trade mark and the design embodies various patents.

GOBLIN (B.V.C.) LIMITED

A MEMBER OF THE BSR GROUP

LEATHERHEAD, SURREY

Telephone: Ashted 76121

